

BLAZE STOP

HOME FIRE SPRINKLER SYSTEM



IN-HOME
ECOSYSTEMS **LEAP**

Welcome to LEAP, a new name dedicated to providing the most advanced water systems in Australasia.

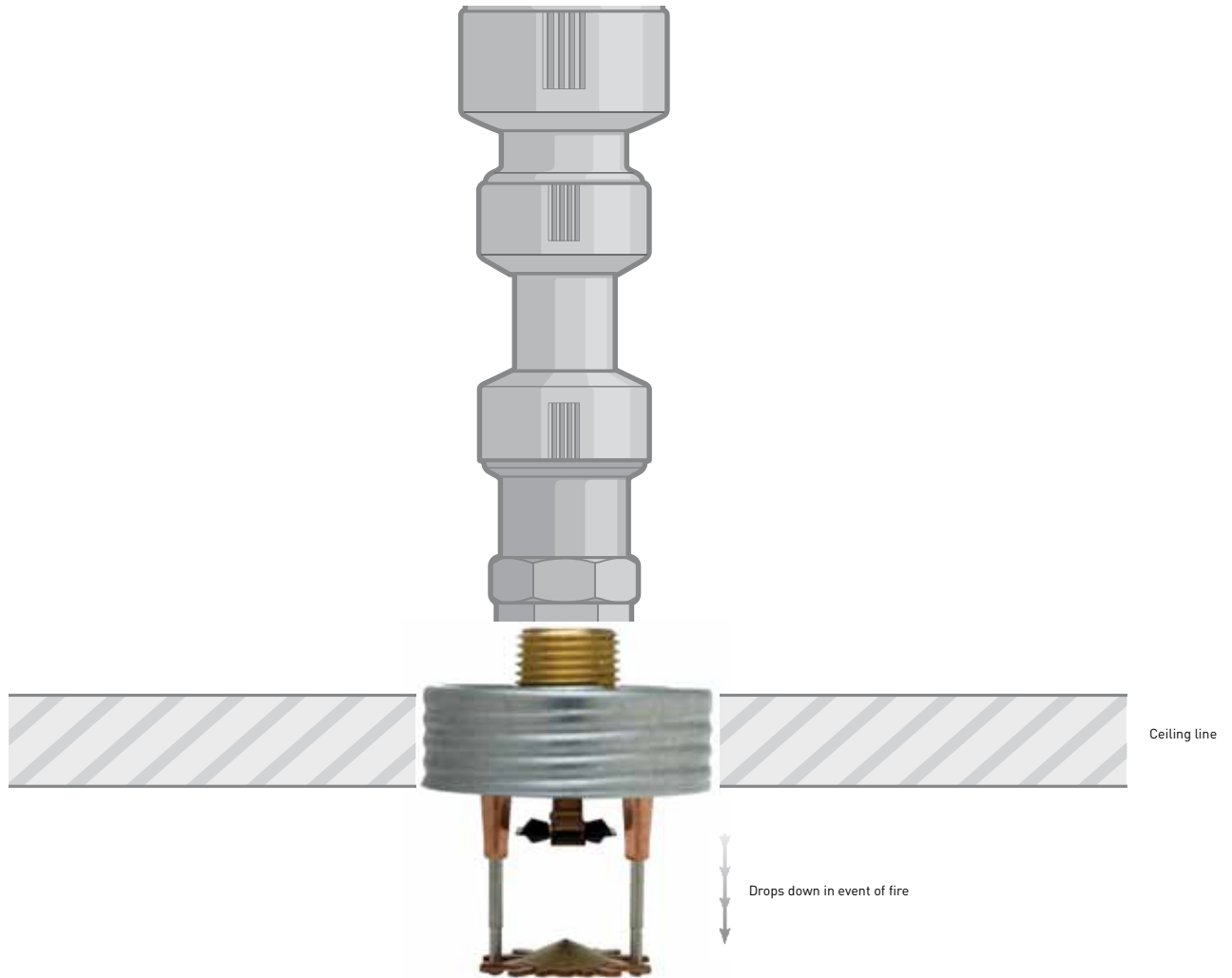
LEAP aims to improve customers' lives with innovative, sustainable, environmentally responsible water systems that deliver superior performance, without costing the earth.

We take responsibility for the environment by sourcing and developing products that are more energy and water efficient – putting less strain on natural resources.

We are proud of our ability to actively design, develop and engineer new water systems to tackle and solve old problems in new ways – we call it 'challenging the status flow'.

BLAZESTOP:

AFFORDABLE, BUILT-IN FIRE PROTECTION



BLAZESTOP is an affordable sprinkler system linked to a domestic water supply, putting the reassurance of sprinkler protection within reach of private homeowners. Designed especially for the home environment, BLAZESTOP uses sprinkler heads concealed in the ceiling. Flexible, concealed piping makes retrofitting into homes easy and cost-effective. Made from durable polybutylene, it isn't affected by scaling, corrosion, or microbiological growth and doesn't transmit noise.

A fire in your home can be devastating, taking lives and destroying treasured possessions. Time is vital – a fire doubles in size every 30 seconds. That's why sprinkler systems are mandatory in many public buildings.

BLAZESTOP puts peace-of-mind sprinkler protection within reach of private homeowners, because it simply links to a normal domestic water supply. In fact, any registered plumber trained in the system can install it.

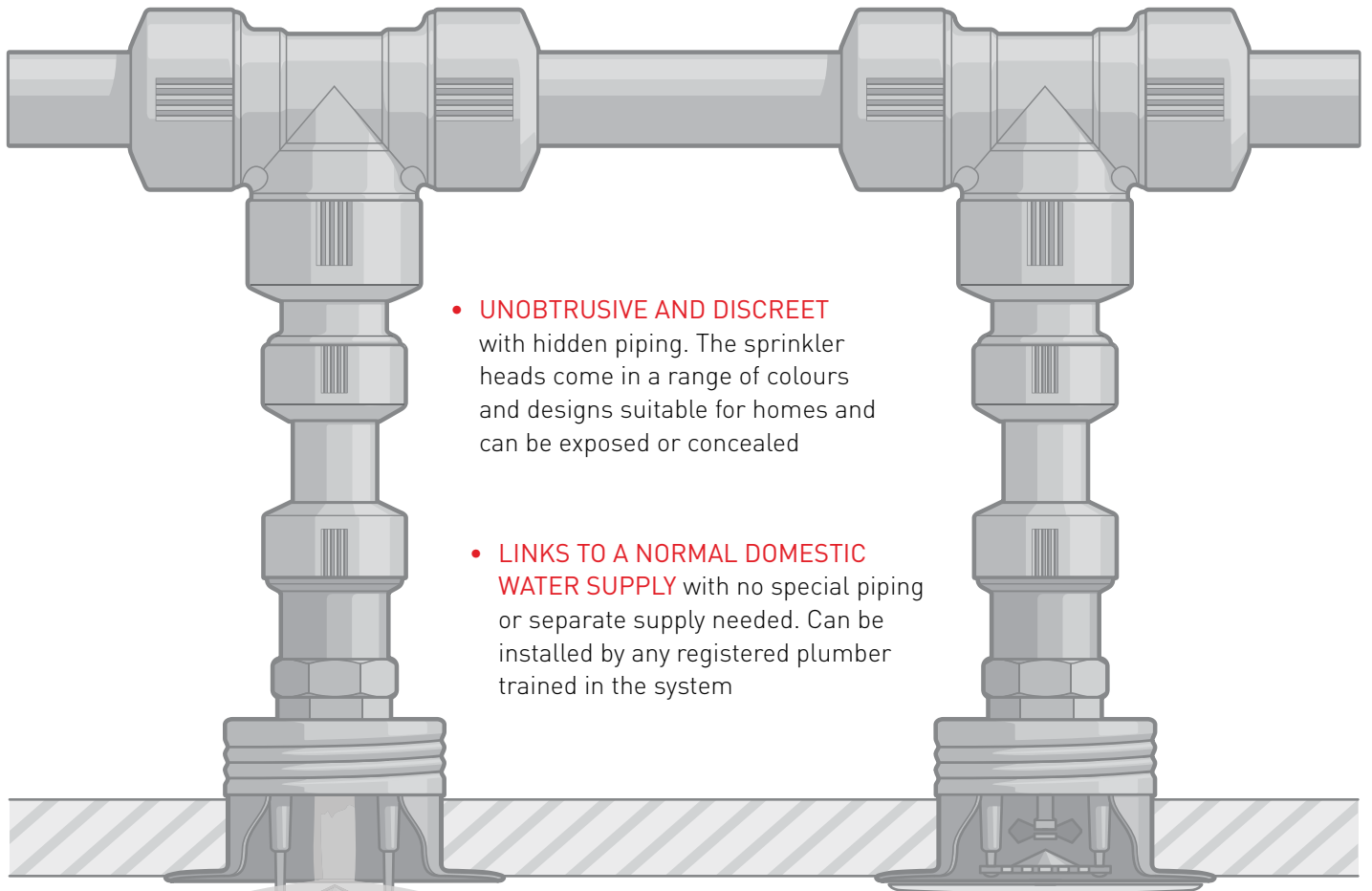
Reacting instantly to heat, the BLAZESTOP unit (or units) nearest a fire isolate and douse flames, getting water

where it's needed far faster than the Fire Service might – and in far smaller amounts than they would need to use.

BLAZESTOP can be installed wherever you need it and most rooms only need one sprinkler. Sprinklers come in a range of designs and colours designed especially to fit discreetly in a home setting, and all piping is concealed.

Depending on your home, BLAZESTOP can offer you protection against the catastrophe of fire for around the same price you'd pay for a major appliance.

BLAZESTOP AT A GLANCE



- **UNOBTRUSIVE AND DISCREET** with hidden piping. The sprinkler heads come in a range of colours and designs suitable for homes and can be exposed or concealed
- **LINKS TO A NORMAL DOMESTIC WATER SUPPLY** with no special piping or separate supply needed. Can be installed by any registered plumber trained in the system



- **EACH SPRINKLER WORKS INDEPENDENTLY** and activates only where it detects a fire, leaving the rest of the house safe and dry

- **FLEXIBLE PIPING** prevents sound transmission, makes installation easier – even in existing homes

- **THREE TO FIVE MINUTES**, is all it takes for BLAZESTOP to contain and control most fires, giving occupants time to escape and minimising fire and water damage

- **AFFORDABLE** for both existing and new homes

WHY BLAZESTOP IS BETTER

PROVEN

BLAZESTOP is designed to meet New Zealand Standard NZS 4517:2010 Fire Sprinkler Systems for houses and complies with New Zealand Building Code (NZBC) Clause G12 water supplies.

INDIVIDUAL ROOM RESPONSE

BLAZESTOP is triggered by heat, not smoke, and doesn't rely on electricity. If the temperature in a room indicates fire, the sprinkler in that room activates instantly and automatically.

DOUSES FIRES FAST, MINIMISES WATER DAMAGE

By containing and controlling a fire in a single room, usually within three to five minutes, there's less fire and water damage. Sprinklers use 40 to 80 litres a minute, compared to 700 litres a minute used by the Fire Service.

AFFORDABLE

BLAZESTOP fits into any new or existing residential plumbing system. No need for extensive new piping or a special water supply.

EASY TO INSTALL

BLAZESTOP is light and flexible, making it easy and cost-effective to install, even in hard-to-reach areas. Push-fit fittings don't need flame or heat-based jointing methods so they're much safer to work with, especially in restricted spaces.

LONG-LASTING

Made from durable polybutylene that isn't affected by scaling, corrosion or microbiological growth.

50 YEAR GUARANTEE

BLAZESTOP pipes and fittings are guaranteed for 50 years against defects in material or workmanship (when they've been installed by accredited registered plumbers following approved guidelines).

QUIET

BLAZESTOP has none of the water-related noises and water hammer associated with metal and rigid plastic systems.

UNOBTRUSIVE

Designed especially for the home environment. You can even choose concealed sprinkler heads set into the ceiling with only the decorative cover (flat or domed) visible.

TECHNICAL DETAILS

WATER SUPPLY

BLAZESTOP can be connected to either a local authority domestic water connection, or to a storage tank and pump system.

LOCATION

Ideally BLAZESTOP should be installed in as many rooms as possible. However, you may be able to dispense with outlets in voids or spaces above ceilings or below floors, toilets and bathrooms, garages that are connected directly to the home, wardrobes or cupboards.

The maximum spacing between sprinklers depends on the type of sprinkler head you choose; the minimum spacing is 2400mm. Light fittings, beams or lintels that may obstruct the spray pattern need to be taken into account.

PIPING AND WATER RETICULATION

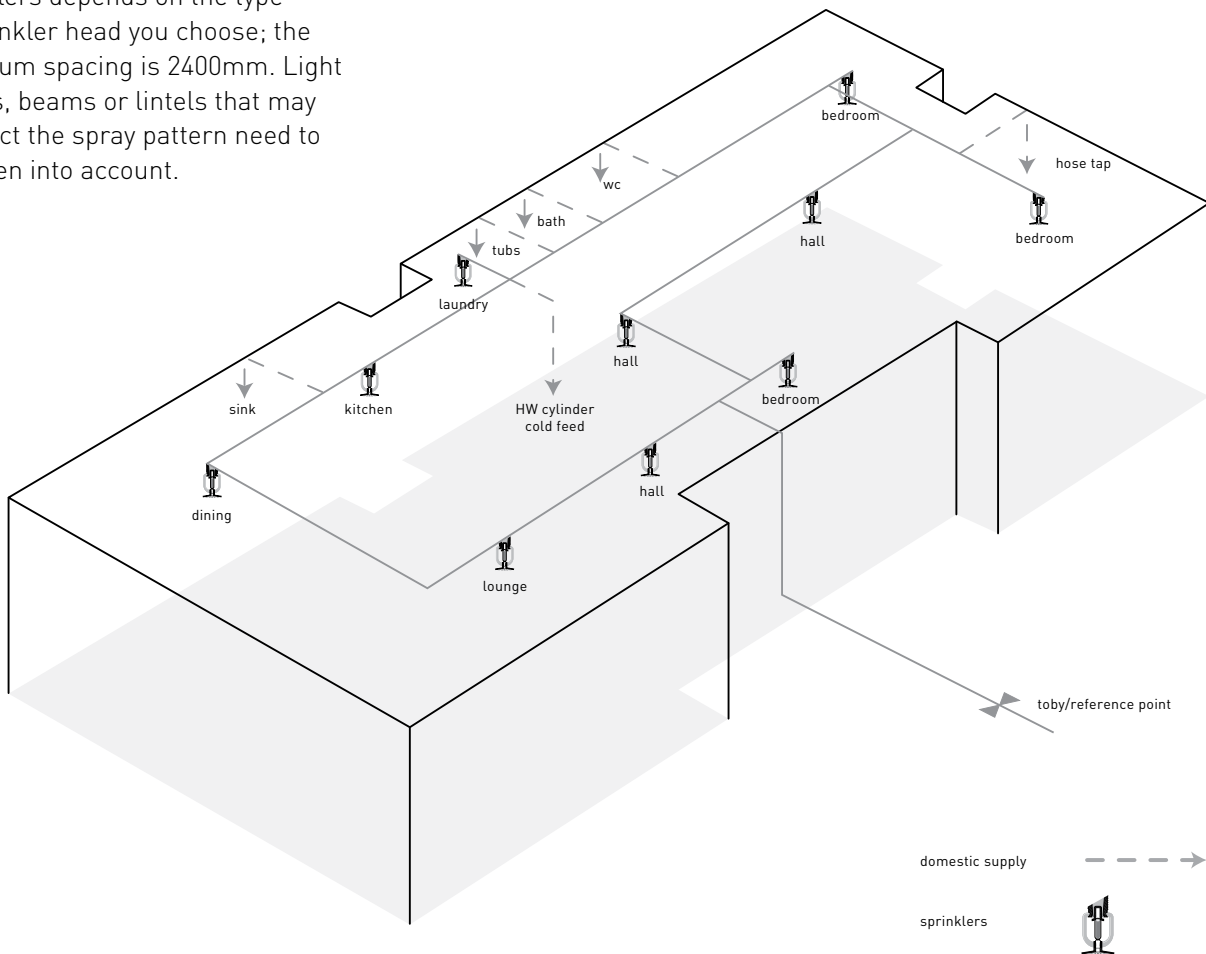
Piping design must minimise dead-legs to sprinklers and fixed directly behind the sprinkler heads. BLAZESTOP does not require a backflow prevention device or inline pressure gauge.

The design must comply with NZBC Clause G12 Water Supply and be lodged with the Building Consent documentation.

POST-INSTALLATION TESTING

After installation, the system must be pressure tested at 1500kPa for at least 30 minutes, although the pressure may need to be reduced if other products are to be included in the test.

A MHD (Most Hydraulically Disadvantaged) Sprinkler verification test must be conducted to ensure that the design pressure and flow are achieved at the MHD sprinkler heads.



PLEASE NOTE: This information is only a summary. Your plumber will need to contact a LEAP supplier for a copy of the Installation Manual which has other important information.

OTHER LEAP SYSTEMS



SOLAR WATER HEATING SYSTEM

SOLARGENIUS water heating system harnesses clean, free solar energy to heat water quickly and effectively, even on cloudy days. Solar water heating systems are commonly installed in both new and existing houses, especially when renovating, and are integrated with household electricity and gas supplies. SOLARGENIUS systems are lightweight, easy-to-install solar water heaters that can save households between 40% and 75% on hot water bills.



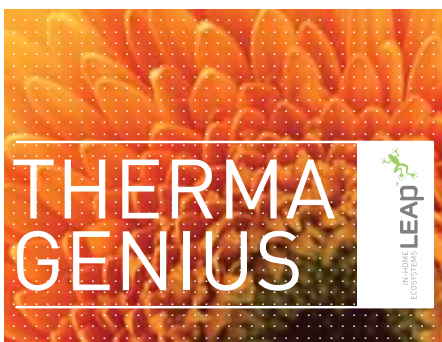
HOT WATER CONTROL SYSTEM

SAFETEMP is the reliable and convenient way to ensure water temperatures at your ablutionary fixtures, bath, shower and basin are safe. Its unique design keeps tap temperatures at a safe level, using a special cartridge that detects incoming water temperatures and adjusts the blend. The failsafe mechanism shuts off supply if there's no cold water. Its unique design and construction means it's guaranteed for 5 years – currently the only safety valve guaranteed for so long.



HYDRONIC HEATING SYSTEM

TERRATHERM is a highly effective and unobtrusive way to radiate comfortable, healthy warmth through your home. TERRATHERM pipes in heat via hot water circulated through flexible underfloor pipes and radiators where required. The system delivers warmth that starts at ground level then slowly rises. TERRATHERM is built-in and its zone-by-zone controls also let you manage your home heating more efficiently, ensuring heat goes where and when it's needed.



HEAT PUMP WATER HEATING SYSTEM

THERMAGENIUS extracts renewable energy stored in the air to heat water. THERMAGENIUS is not dependent on weather and operates throughout the year from inside or outside your home. With high efficiencies, payback on a THERMAGENIUS can be very quick. Unobtrusive, easy to install and cheap to run, these units are a great way to provide hot water for the home. The only energy used is electricity to power the pumps but delivering 3 or 4 times as much energy.



MANIFOLD PLUMBING SYSTEM

MANIFLOW saves energy and conserves water by having a dedicated pipeline from a manifold near the hot water cylinder to each tap or fixture in the house. Hot water goes straight where it's needed without sitting round cooling in the big 'feeder' pipes needed to serve multiple outlets. Less energy and water is wasted, as hot water arrives faster at the tap. Flexible and non-metallic pipes result in a quiet and efficient plumbing system that doesn't suffer corrosion, scaling or microbial build-up.



WASTEWATER SYSTEM

FRESHFLOW combines the advanced Hepv0 self-sealing waterless waste valve with easy to install flexible HepFlex Waste piping. This innovative system replaces space-hungry S or U traps with a hygienic valve that provides an effective and reliable barrier against sewer gases escaping into a building. As well as its space-saving advantages, FRESHFLOW leaves no standing reservoir of water which can stagnate and lead to bacterial or fungal growth.

FOR MORE INFORMATION ABOUT BLAZESTOP CALL

0800 246 810

1800 666 952

Leap Australasia Ltd
61 Port Road
PO Box 38-159
Lower Hutt 5045
New Zealand

t: + 64 4 568 9424
f: + 64 4 568 9423
www.leapltd.co.nz

Leap Australasia Pty Ltd
95b Cheltenham Road
Dandenong
Victoria 3175
Australia

t: + 61 3 9791 2462
f: + 61 3 9791 2409
www.leapltd.com.au

IN-HOME
ECOSYSTEMS

LEAP

